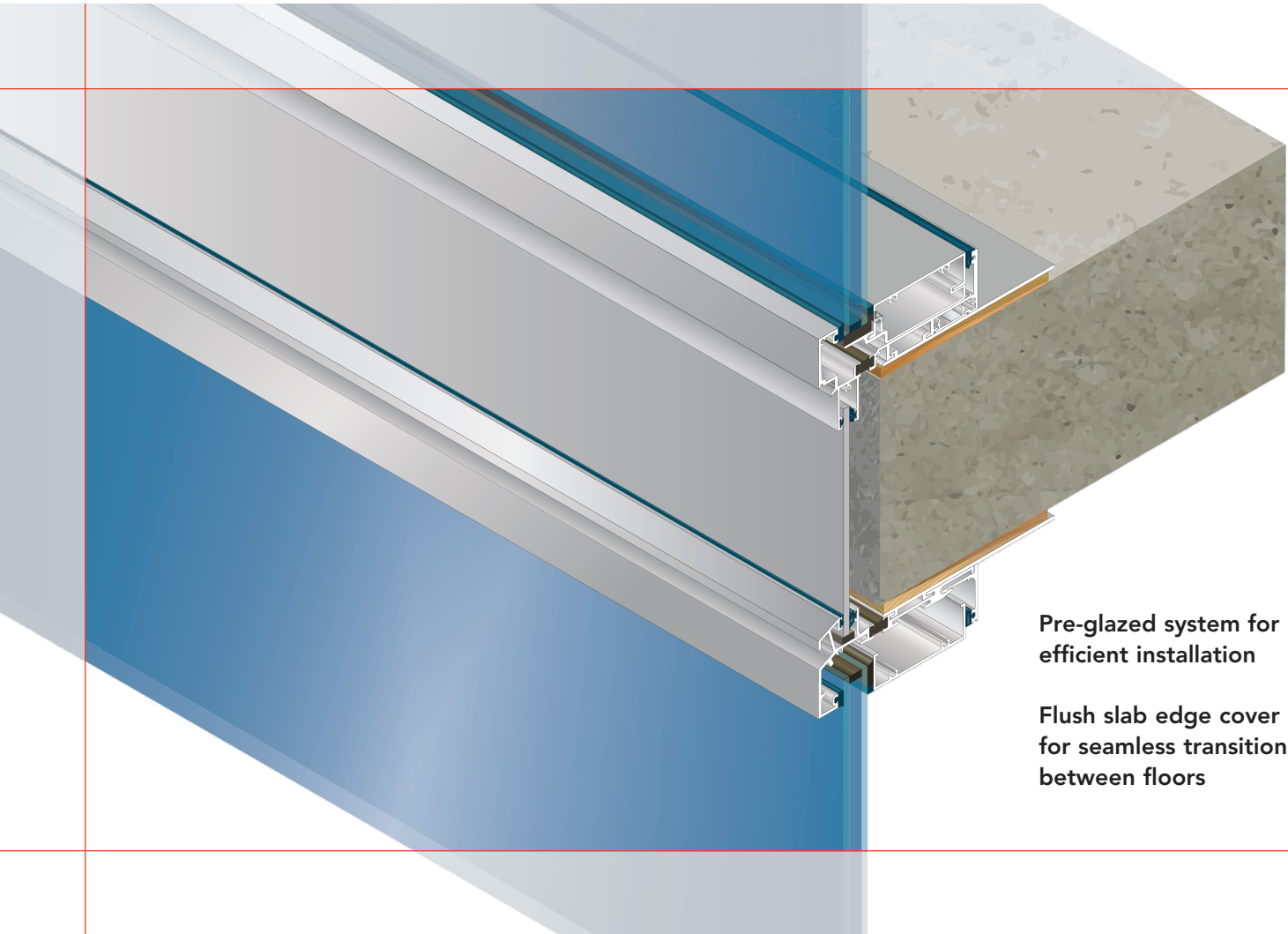


Economy and Performance with an Urban View



**Pre-glazed system for
efficient installation**

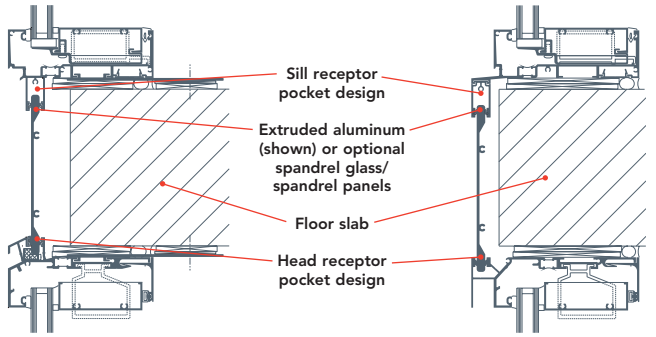
**Flush slab edge cover
for seamless transition
between floors**

MetroView™ FG 601T PG Window Wall is an economical solution that makes it easy to achieve the look of a true curtain wall without compromising performance. FG 601T PG Window Wall is ideal for urban mixed-use buildings including mid- to high-rise commercial projects. A variety of options allows for versatility in design and installation. Traditional stock lengths are available, as well as pre-glazed solutions for increased quality control and economies of installation experienced with factory-glazed units. The 3M™ VHB™ tape glazing option allows for thicker glass to improve acoustic performance.

VERSATILITY

The sleek, modern lines of FG 601T PG Window Wall lend a sophisticated metropolitan appearance to projects. Experience the unexpected in a value-priced window wall, with flexible options and configurations that accommodate balcony doors to maximize city views. A flush slab edge option and slab edge covers allow for a seamless transition between floors, and a 2-1/4" sightline with standard 6" system depth makes it easy to achieve stylish urban aesthetics.

SLAB EDGE OPTIONS



Glass plane set in front of slab edge for look of traditional curtain wall

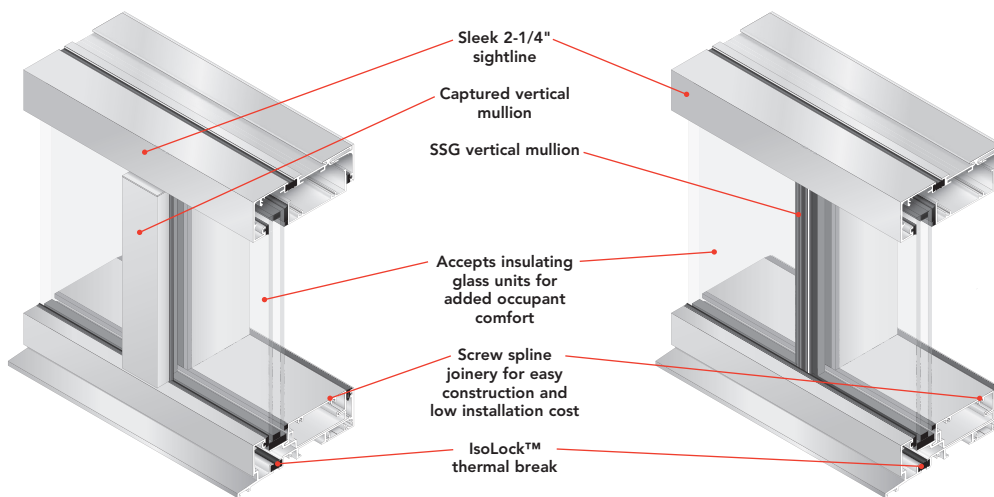
Glass plane set back from slab edge for look of traditional window wall

PERFORMANCE

MetroView™ FG 601T PG Window Wall delivers high thermal performance achieved with our IsoLock™ thermal break. This creates a positive interlock between polyurethane and aluminum components, improves the U-factor and minimizes condensation. Reduced transfer of heat and cold provides increased comfort for building occupants, while also reducing energy expenditures for building owners.

In addition to enhanced thermal performance, FG 601T PG Window Wall outperforms other similar window walls in air, water and structural performance.

Vertical Mullion Options
Ribbon Window Application Shown
(others similar)



PERFORMANCE TEST STANDARDS

Air Infiltration	ASTM E283, NFRC 400, TAS 202
Water	ASTM E331, ASTM E547, TAS 202
Severe Wind-Driven Rain	AAMA 520
Structural – Uniform Wind Load	ASTM E330, TAS 202
Acoustical Testing, STC and OITC	AAMA 1801, ASTM E90, ASTM E1425
Thermal Transmittance – U-Factor	NFRC 100, AAMA 1503, AAMA 507
Condensation Resistance (CRF and CR)	AAMA 1503, NFRC 500
Overall Solar Heat Gain (SHGC, VT)	AAMA 507, NFRC 200

AESTHETICS AND VERSATILITY

FG 601T PG is packed with features, expanding the opportunity for architects and design professionals to deliver structures with trending designs and performance similar to traditional curtain wall systems from a single-source supplier.

- Slab-to-slab windows create contemporary exteriors while delivering natural daylight to interiors
- Standard (ribbon window look) or flush slab edge covers (curtain wall look) offer design options
- Screw spline fabrication and joinery for ease of fabrication
- Silicone-compatible glazing materials for long-lasting seals
- Two-piece receptor and pre-glazed options speed up installation
- Both structural silicone glazed (SSG) and 3M™ VHB™ tape choices for factory glazing
- Corner members for either 90° or 135° applications increase design flexibility
- Accommodates Kawneer balcony doors and window products

It is easy to execute today's most popular design trends in mid- to high-rise commercial projects with FG 601T PG Window Wall. The system accommodates single-punched and multipunched openings or ribbon windows, and has captured or SSG vertical mullion options. Dual color options provide a cohesive building exterior and greater interior design versatility, with painted finishes available in standard and custom choices.